



# Commercial Laundries, Inc.

Commercial Laundries, Inc.  
 8510 NW 56 Street  
 Miami, Florida 33166  
 Phone (855) 254-9274 Fax (305) 477-2950

DATE: October 22, 2021  
 QUOTE #: 102121SS1

**CUSTOMER:** Robert Hinckley  
 925 N Halifax Ave  
 Daytona Beach, FL 32118  
 (305)205-8259  
 managerbcma@gmail.com

**Sales Rep**  
 Sharina Santana  
 Sharina@ciifl.com  
 (786)299-1578

ITEM CODE	DESCRIPTION	QUANTITY	PRICE	TOTAL
SWNSX2SP115TW02	New Speed Queen Top Load Washer w/ coin slide & money box	22	1365.00	30,030.00
SDESXRG173TW01	New Speed Queen Electric Dryer w/ coin slide & money box	22	1035.00	22,770.00
	Delivery & Installation	1	1760.00	1,760.00
	90 Days Labor Warranty With Commercial Laundries			-
	3 Years Parts Warranty with Speed Queen			-

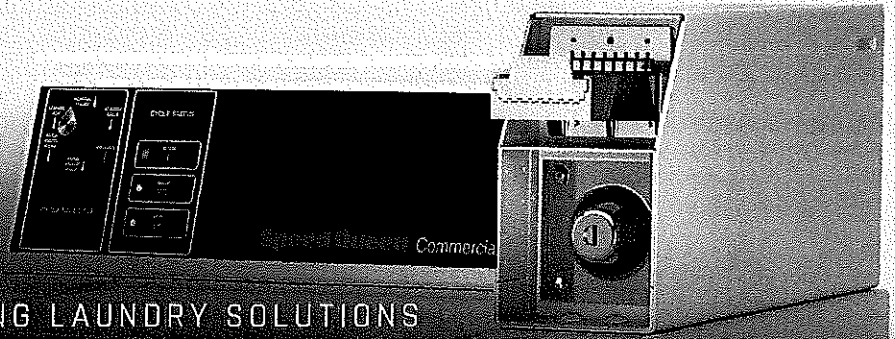
SUBTOTAL	\$ 54,560.00
TAX RATE	7.00%
SALES TAX	\$ 3,819.20
TOTAL	\$ 58,379.20

X \_\_\_\_\_  
*Subject to Sales Agreement*

**100% PAYMENT IS REQUIRED UPON ACCEPTANCE OF THIS QUOTE.** Items on this sales agreement remain the property of Commercial Laundries, Inc. until paid in full. A 20% restocking fee is applicable if order is canceled. All sales regarding special ordered items are final, and may not be returned. Customer agrees to reimburse Commercial Laundries, Inc. for all costs and expenses (including reasonable attorney fees) with any legal proceeding commenced hereunder or otherwise arising out of this agreement for recovery of goods sold or for collection of monies due hereunder. A 4% processing fee will be charged for any payments made by credit card.

We proudly accept





SPEED QUEEN® MULTI-HOUSING LAUNDRY SOLUTIONS

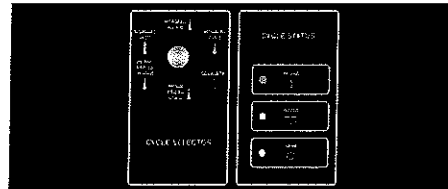
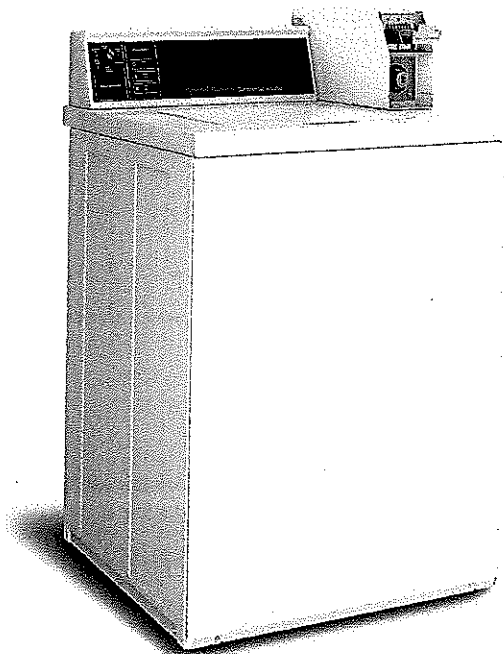
# Top Load Washer

## Coin Slide

### Built for Reliable Performance

Speed Queen's Coin Slide operated top load washer gives building owners and property managers unparalleled ability to reduce water and energy costs which reduces operating costs. With features such as water and energy efficient designs, quality internal components and high security systems, multi-housing owners can depend on Speed Queen. The equipment gives them the advantage on such issues as energy conservation, equipment breakdowns and vandalism. Durable porcelain enamel tops and lids resist corrosion and scratching, assuring long-last appearance.

- Durable stainless steel wash tub
- Extract speed of 710 RPM spins clothes out drier
- Automatic Balancing Suspension provides the industry's best out-of-balance handling, completing wash cycles without interruption
- Curved four-vane polypropylene agitator provides 210° agitation stroke which delivers superior washability
- Dependable, Eversmooth transmission



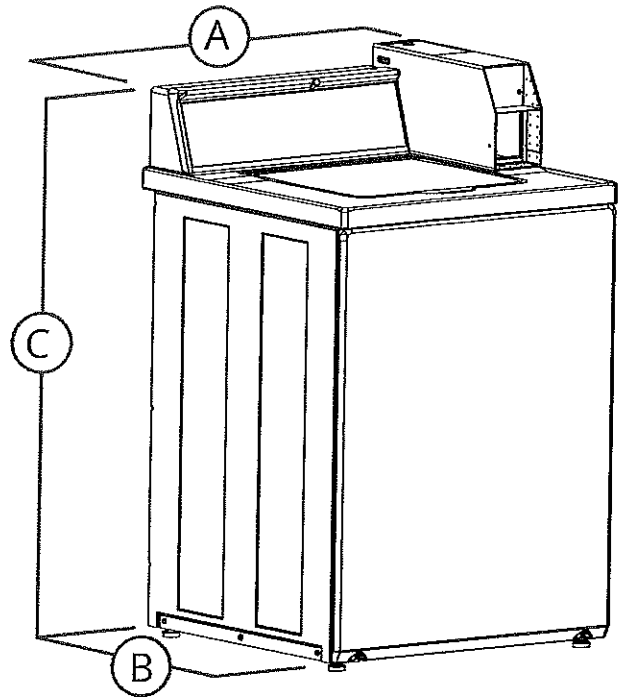
### Coin Slide Control

Coin Slide control is easy to use and offers the basic features needed for optimal coin-vended laundry room operations.

# Top Load Washer

## Coin Slide

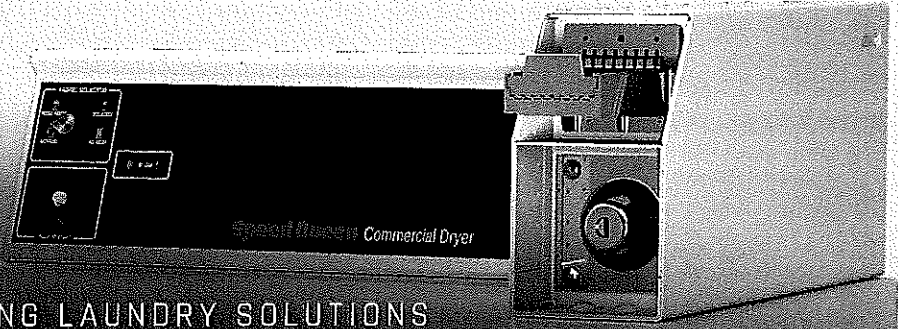
Specifications	
Control Option	Coin Slide
Color	White
Capacity - lb (kg)	16 (7.3)
Cylinder Volume - cu. ft. (liters)	3.19 (90.3)
Spin Speed G-Force (RPM)	150 (710)
Motor Size - HP (kw)	0.5 (0.37)
Water Consumption Per Cycle - g (liter)	28.07 (106)
IWF (WATER FACTOR) - gal/ft <sup>3</sup> (liters/liter/cycle)	8.8 (11.8)
MEF <sub>p</sub> (Modified Energy Factor) ft <sup>3</sup> /kWh/cycle (Liters/kWh/cycle)	1.35 (38.2)
Cycle Selections	Normal Hot, Normal Warm, Normal Cold, Delicate, Perm Press Cold, Perm Press Warm
Electrical Requirements (v/Hz/Ph-Amp)	120/60/1 - 15 Amp
Water Pressure - p.s.i. (bar)	20-120 (1.4/8.3)
Drain	Pump
Cylinder Finish	Stainless Steel
Net Weight - lb (kg)	206 (93)
Shipping Weight - lb (kg)	214 (97)
Shipping Dimensions Approx. - in (mm)	Width 28 (711)
	Depth 30 (762)
	Height 45 (1143)
Agency Approvals	cULus



A. Overall Width - in (mm)	25.625 (651)
B. Overall Depth - in (mm)	28 (711)
C. Overall Height - in (mm)	43.875 (1114)

Models	Actuation
SWNSX2SP115TW02	Coin Slide 

For the most accurate information, the installation guide should be used for all design and construction purposes. Due to continuous product improvements, design and specifications subject to change without notice. The quality management systems at Alliance Laundry Systems are registered to ISO 9001.



SPEED QUEEN® MULTI-HOUSING LAUNDRY SOLUTIONS

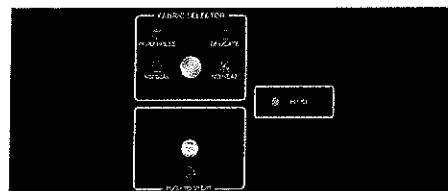
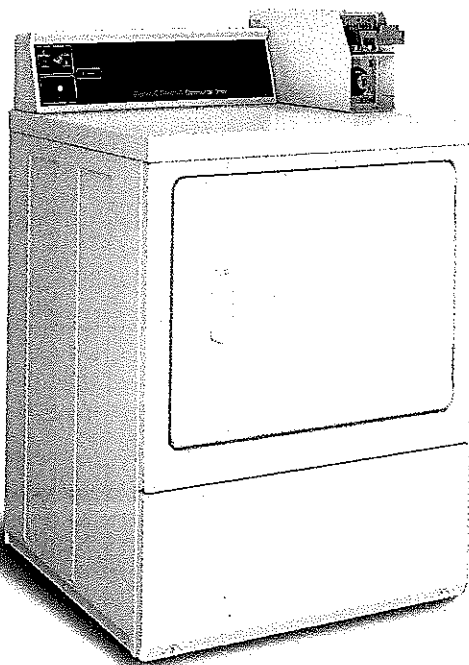
## Rear Control Single Dryer

### Coin Slide

#### Built for Reliable Performance

Speed Queen's Coin Slide single load dryer combines heavy-duty construction with reliable operation proven to stand the test of time. They're designed with less moving parts for one reason: so you'll face fewer maintenance problems and less wear and tear down the road. Our cabinet design maintains the perfect balance of heat, airflow and tumble action for optimal performance and efficiency. The equipment provides an advantage on such issues as energy conservation, equipment breakdowns and vandalism.

- Industry's largest door opening 2.06 sq. ft. (1914 cm<sup>2</sup>)
- Door is reversible for installation flexibility
- High efficiency exhaust blower with superior air flow 220 cfm (105 liters/sec)
- 100% serviceable from the front
- Space-saving narrow cabinet 26.875" (683 mm)
- Upfront lint filter easy to clean and secured
- Durable galvanized steel cylinder



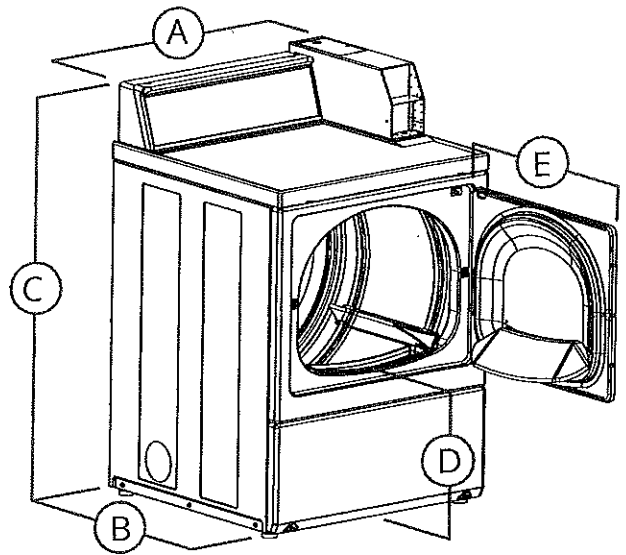
#### Coin Slide Control

Coin Slide control offers heavy-duty operation, is easy to use and offers the basic features needed for optimal coin-vended laundry room operations.

# Rear Control Single Dryer


## Coin Slide

Specifications	
Control Option	Coin Slide
Color	White
Capacity - lb (kg)	18 (8.2)
Cylinder Volume - cu. ft. (liters)	7.0 (198)
Motor (Thermal Protected)	0.33 HP
Type Of Gas (Gas Models Only)	Factory equipped natural
Air Outlet Diameter - in (mm)	4 (102)
Exhaust Airflow - cfm (liters/sec)	220 (105)
Cycle Selections	Normal, Perm Press Delicate, No Heat
Electrical Requirements	Electric 120/240/60/1-30 amp 120/208/60/1-30 amp
	Gas 120/60/1-15 amp
Heating Element	Electric 5350W, 240V 4750W, 208V
	Gas 25,000 Btu
Net Weight - lb (kg)	Electric 150 (68)
	Gas 150 (68)
Shipping Weight - lb (kg)	Electric 161 (73)
	Gas 161 (73)
Shipping Dimensions Approx. - in (mm)	Width 30.5 (775)
	Depth 29.5 (7623)
	Height 45 (1143)
Agency Approvals	Electric cULus
	Gas cCSAus



A. Overall Width - in (mm)	26.875 (683)
B. Overall Depth - in (mm)	28 (711)
C. Overall Height - in (mm)	43 (1092)
D. Floor To Door Opening -in (mm)	15.44 (392)
E. Door Swing - in (mm)	23.5 (597)

Models	Voltage/Freq/PH	Actuation
SDESXRG173TW01	208-240/60/1	Electric
SDGSXRG113TW01	120/60/1	Gas

Coin Slide 

\* Electric dryers come equipped for 240/60/1 operation. They can be field converted to operate on 208/60/1 with optional 61928 conversion kit.  
Gas dryers can be field converted for operation on LP gas with optional 458P3 conversion kit.

For the most accurate information, the installation guide should be used for all design and construction purposes. Due to continuous product improvements, design and specifications subject to change without notice. The quality management systems at Alliance Laundry Systems are registered to ISO 9001.



# OEM Laundry Parts, LLC

4020 University Blvd Ct  
Jacksonville, FL 32217

Phone: (904) 240-0211 Fax: (305) 675-0173  
parts@oemlaundryparts.com

QUOTE

Number	034610
Date	11/03/2021
Page	1 of 1

**Ship-to:** SAME  
Bayshore Bath and Tennis Club  
925 N Halifax Ave  
Daytona Beach, FL 32118

**Bill-to:** 3663  
Bayshore Bath and Tennis Club  
925 N Halifax Ave  
Daytona Beach, FL 32118

Reference #: EQUIPMENT

Expires	Slsp	Terms	Wh	Freight	Ship Via
11/20/21	000 OEM	PREPAY	01	PRE/ADD	DELIVERY

Quoted By: JJS      Quoted To: Bob Hinckley

Item	Description	Ordered	UM	Price	UM	Extension
	Quote is based upon current pricing from manufacturer. These prices are subject to change from manufacture even after order is placed.					
	INBOUND FREIGHT CHARGES FROM MANUFACTURE HAVE NOT BEEN INCLUDED AND WILL NEED TO BE ADDED AT TIME OF SHIPMENT.					
SWNSX2SP115TW02	TOP LOAD WASHER COIN SLIDE	22	PC	1199.00	PC	26378.00
SDESXRG173TW01	DRYER ELECTRIC COIN SLIDE	22	PC	920.00	PC	20240.00
3 WIRE DRYER CORD	3 WIRE DRYER CORD	22	EA	14.28	EA	314.16
74-1027-32-800	SERVICE LOCK AND KEY GR800	44	EA	7.50	EA	330.00
V-8	V-8 COIN SLIDE	44	EA	42.00	EA	1848.00
22681	ESD MOUNTING BOLT	44	EA	4.80	EA	211.20
GBE-T-CH	MONARCH MONEY BOX 8" TALL	44	EA	27.00	EA	1188.00
INSTALLATION	INSTALLATION	1	EA	2800.00	EA	2800.00
	Deliver equipment, unpackage, set in place and level. Hook up to existing utilities within 4 feet. Customer is removing old equipment.					
DFLX8	4" X 8 FEET DRYER VENT	22	EA	16.00	EA	352.00

*Wentzel*

Merchandise	Discount	Tax	Freight	Total
53661.36		3304.90		56966.26

*57846.26*  
... Last Page

**Caldwell & Gregory LLC**  
 COMMERCIAL EQUIPMENT DISTRIBUTORS  
 129 Broad Street Road, Suite A  
 Manakin-Sabot VA 23103  
 Tel:(804) 784-6100 Fax:(804) 784-7418



**SALES ORDER FORM**

DATE: 11/11/2021

BILL TO: prices effective until 12/31/2012

SHIP TO:

NAME	Bayshore Bath and Tennis
ADDRESS	925 N Halifax Ave.
CITY	Daytona Beach
STATE	FL
ZIP	32118

SALES TYPE: [ ] COIN STORE [ X ] MULTIFAMILY [ ] DEALER [ ] SCHOOL [ ] GOVERNMENT [ ] COIN ROUTE

OPL TYPE: [ ] HEALTHCARE [ ] HOSPITALITY [ ] FITNESS [ ] VETERINARY [ ] SALON [ ] CORRECTIONAL

CONTACT	Bob Hinkley	SALES REP	CWH
TELEPHONE	386-252-2512	TERMS:	20% Deposit Balance COD
EMAIL or FAX#	managerbcma@gmail.com	P. O. #	
CELL#		DELIVERY DATE	
FEIN		TAX EXEMPT #	

QTY	BRAND/MODEL	DESCRIPTION	QUOTED PRICE	EXTENDED
	Speed Queen	Quantum-Coin Drop Ready		
22	SWNNC2HP116T W01	Top Load Washer with Rear Quantum Gold Controls SS Basket 120/60/1 Coin Drop Ready	\$ 1,322.00	29,084.00
22	SDENCRGS116T W01	Single Electric Dryer with Rear Quantum Controls 240/60/1	\$ 1,045.00	22,990.00
		Coin Box, Lock and Key included		
		3-Year All Parts Warranty		
		90 Days Labor Warranty		
				-
				-
				-
				-
				-

I am an authorized purchasing agent for the above described party. I agree to the terms and conditions of the sale and agree to pay interest (at 1.5%/month) on unpaid balances over 30 days as well as any legal and/or collection fees. Installation includes uncrate set and level. Final connections to be completed within 3' by  X  C&G   Others. Entrance ways into/ out of the building and/or rooms remains customer's responsibility as well as the integrity of the floor.

SUBTOTAL	\$ 52,074.00
TAX Rate	\$ 1,890.46
REMOVAL	
FACTORY FRT	\$ 3,500.00
DELIVERY	
INSTALLATION	\$ 2,800.00
TOTAL	\$ 60,264.46
DEPOSIT	
COD AMOUNT	\$ 60,264.46

Signed: \_\_\_\_\_ Date: \_\_\_\_\_

CGI Acceptance: \_\_\_\_\_ Date: \_\_\_\_\_